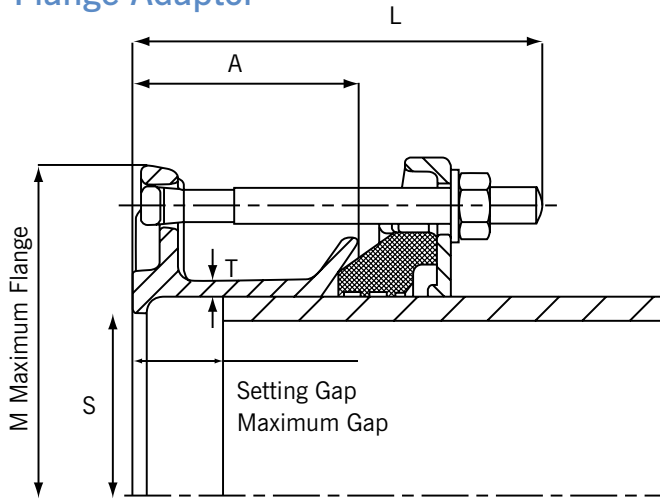


# MaxiDaptor Flange Adaptors

Datasheet 1/2

## Flange Adaptor



## MaxiDaptor Flange Adaptors

Nom Size	Size Range (mm)		øDia (mm)	Bores (mm)		Overall Length (mm)	Sleeve Length x Thickness (A) x (T)	Flange Drilling Options				Setting Gap (mm)		Bolts No.-Dia x Length	Gasket Mould No.	Weight (kg)	MaxiFit Plus Available
	Min	Max		M	S			Nom (DN)	Metric Drilling Specification	Nom (Inches)	Imperial Drilling Specification	Min	Max				
50	57.0	74.0	163.4	59.0	124.0	75.0 x 5.0	50	PN10 / 16	2"	ANSI 125/150	20.0	40.0	4-M12 x 115	12392/1	2.7		
									2.5"	BS10 Table ADE							
65	63.0	85.0	196.9	75.0	124.0	75.0 x 5.0	60	PN10 / 16	2.5"	ANSI 125/150	20.0	40.0	4-M12 x 115	12392/2	3.5	✓	
									65	PN10 / 16							
									80	PN10 / 16 AS2129 CD AS4087 16							3"
80	85.0	107.0	202.5	101.0	124.0	75.0 x 5.0	80	PN10 / 16	3"	ANSI 125/150	20.0	40.0	4-M12 x 115	12392/3	3.7	✓	
									3.5"	BS10 Table ADE							
100	107.0	132.0	228.0	121.0	134.0	75.0 x 5.0	100	PN10 / 16 AS2129 CD AS4087 16	4"	BS10 Table ADE AWWA C207 D ANSI 125/150	20.0	40.0	4-M12 x 125	12392/4	4.4	✓	
125	132.0	158.0	281.5	150.0	134.0	75.0 x 5.0	125	PN10 / 16 AS2129 CD	5"	BS10 Table ADE	20.0	40.0	4-M12 x 125	12392/6	5.6		
							150	PN10 / 16	6"	BS10 Table ADE AWWA C207 D ANSI 125/150							
150	158.0	184.0	281.2	173.0	134.0	75.0 x 5.0	150	PN10 / 16 AS4087 16 AS2129 CD	6"	BS10 Table AD AWWA C207 D ANSI 125/150	20.0	40.0	4-M12 x 125	12392/7	6.0		
175	189.0	212.0	336.5	202.0	133.0	75.0 x 5.0	150	PN10 / 16			25.0	40.0	4-M12 x 125	12392/9	8.3		
							200	PN10 / 16 AS2129 CD AS4087 16	8"	BS10 Table AD							
200	218.0	244.0	337.8	225.0	134.0	75.0 x 5.0	200	PN10 / 16 AS2129 CD	8"	BS10 Table AD AWWA C207 D ANSI 125/150	25.0	40.0	4-M12 x 125	12392/10	8.3		
225	243.0	269.0	401.5	252.0	144.0	85.0 x 5.0	250	PN10/16	10"	BS10 Table E	25.0	50.0	6-M12 x 135	12392/11	10.9		
250	266.0	295.0	402.1	277.0	146.0	85.0 x 5.0	250	PN10 / 16	10"	BS10 Table E	25.0	50.0	6-M12 x 135	12392/12	11.4		
300	315.0	349.0	457.8	329.0	155.0	100.0 x 5.0	300	PN10 / 16 AS2129 CD			25.0	60.0	6-M12 x 145	12392/14	14.8		

Every effort has been made to ensure that the information contained in this publication is accurate at the time of publishing. Crane Ltd assumes no responsibility or liability for typographical errors or omissions or for any misinterpretation of the information within the publication and reserves the right to change without notice.

DR8550\_03\_2020\_ISSUE 6

## Technical Information

### Working Pressure Rating

Water 16 bar

Gas 6 bar

### Vacuum Pressure

Capable of accommodating a vacuum pressure of -0.7 bar

### Site Test Pressure

1.5 times working pressure for short duration (2 hours)

### Flange Drilling & Rated Pressure

While drilling patterns defined for the flange adaptors are compatible with the standards listed in the data sheet table, the rated working pressure of the product is as noted above.

### Angularity

Flange Adaptors 3°

The above are for when the product is on maximum pipe outside diameters; can achieve larger ones with smaller pipe diameters.

### Bolt Torque/Spanner

M12; Torque 55-65Nm on every bolt

Spanner size A/F 19mm

### Temperature Rating of Product

EPDM -20°C to +90°C

Nitrile -20°C to +90°C

For use on applications with fluctuating and / or elevated temperatures (> 60°C) may require regular maintenance to re-tighten the bolts and must be included in any maintenance schedule.

### End Load Due to Internal Pressure

MaxiFit DOES NOT resist end load due to the internal pressure - adequate external restraint must be provided to prevent pipe pull out.

### Approvals

The following water contact materials used in MaxiDaptor are approved for use with potable water:-

Rilsan Nylon 11:

- WRAS, AS/NZS 4020, DVGW, W270, ACS & KIWA

EPDM Gaskets:

- WRAS, AS/NZS 4020

In addition to the above, MaxiFit range as a finished product has KIWA certification verifying that the above products comply with the requirements of the Water Supply (Water Fittings) Regulations for England and Wales 1999, the Water Byelaws 2000, Scotland and the Water Regulations Northern Ireland.

DN40 to DN300 MaxiFit has been independently tested by BSI to confirm it meets the requirements of BS EN 14525 (VC 669122)

## Materials & Relevant Standards

### End Ring & Adaptor Body/Centre Sleeve

Ductile Iron to BS EN 1563 Symbol EN GJS-450-10

### Gasket

EPDM compound Grade E to BS EN 681-1, Type WA, WC

Nitrile compound to Grade G BS EN 682, Type G

### Coating

Adaptor Body & End Ring:

- Rilsan Nylon 11 to WIS 4-52-01 Part 1

Bolts & Nuts:

- Sheraplex to WIS 4-52-03

### Tee Bolts/Bolts

Standard - Steel to BS EN ISO 898-1: property class 4.8

Option - Stainless Steel to BS EN ISO 3506-1: grade A4 property class 5

### Nuts

Standard - Steel to BS EN 4190 Grade 4

Option - Stainless Steel to BS EN ISO 3506-2: grade A4 property class 80

### Washers

Stainless Steel to BS 1449:Part 2 Grade 304 S15